

Spare Parts List

MRS - Multi Recovery System



## Table of Contents

Spare Parts List .....	1
Ordering Spare Parts .....	1
Gun Slot Elements .....	2
Fluidizing Channel (and Magnetic Separator) .....	4
Magnetic Separator .....	4
Squeegee Unit .....	6
Drive Unit .....	8
Cable Pulleys .....	10
Fixed pulley .....	10
Adjustable pulley .....	10
Pressure Monitoring Unit .....	12
Pressure tank in After Filter - Pneumatic Unit (NW12-10B-SA1) .....	14
Suction Point - Fluidizing Channel in Filter Trolley - Pneumatic Unit (NW12-4B-MV-SA1) .....	16
Fluid Channel in Filter Trolley - Pneumatic Unit (NW06-4B-MV-SA2) .....	18
Cable rinsing - Squeegee - Pneumatic Unit (NW06-4B-MV-4F-SA3) .....	20
Reserve Unit - Pneumatic Unit (NW12-10B-MV-SA1) .....	22
Suction Point - Fluidizing Channel in Booth - Pneumatic Unit (NW12-4B-MV-2F-SA1) .....	24
Connecting Frame - Multicyclone-After Filter / Filter Trolley-Jet Cleaning Unit Pneumatic Unit (NW06-4B-MV-D08) .....	26
Reserve Unit - Pneumatic Unit (NW06-4B-MV- 2F-SA4) .....	28
Door Unit .....	30
Double door unit only : .....	30
Miscellaneous booth parts .....	32
Powder Hopper Fluidization - ADU Air Distributor Unit/PH Powder Hopper .....	34
Fresh Powder Hopper Fluidization - ADU Air Distributor Unit/FPH Fresh Powder Hopper .....	36
Fresh Powder System - FPS 1, FPS 2 .....	38
Suction Point/Multicyclone Vibrator - PT Powder Transport/Multicyclone .....	40
Pneumatic unit - Compressed air input .....	42



## Spare Parts List

### Ordering Spare Parts

When ordering spare parts for coating equipment, please indicate the following specifications :

1. Type, and serial number of your coating equipment
2. Order number, quantity, and description of *each* spare part.

*Example :*

1. Type *MRS*, Serial no. : *xxxx xxxx*
2. Order no. : *246 573, 1 piece, T-Connector - 1/8"- ø 8- ø 8 mm.*

When ordering cable and hose material the length required must also be given.  
The spare part numbers for metre/yard ware is always marked with an \*.

All wear parts are marked with a #.

All dimension of plastic powder hoses are given with external and internal diameters :  
e.g. ø 8 / 6 mm = 8 mm outside diameter (o/d)/ 6 mm inside diameter (i/d).

## Gun Slot Elements

1	Rubber Flap	- Type 200	MKB02-A009-3*#
		- Type 225	MKB02-A009-3*#
		- Type 250	MKB02-A009-3*#
		- Type 275	MKB02-A009-3*#
		- Type 300	MKB02-A009-3*#
		- Type 325	MKB02-A009-3*#
		- Type 350	MKB02-A009-3*#
		- Type 375	MKB02-A009-3*#
		- Type 400	MKB02-A009-3*#
2	Hex. Shakeproof nut - M 6	244 430	
3	Powder catcher	- Type 80	351 814
		- Type 100	351 822
		- Type 200	351 830
4	U-Section	- Type 200	MKB02-A010-3*
		- Type 225	MKB02-A010-3*
		- Type 250	MKB02-A010-3*
		- Type 275	MKB02-A010-3*
		- Type 300	MKB02-A010-3*
		- Type 325	MKB02-A010-3*
		- Type 350	MKB02-A010-3*
		- Type 375	MKB02-A010-3*
- Type 400	MKB02-A010-3*		

# Wear parts

\* Please indicate length required

Gun Slot Elements

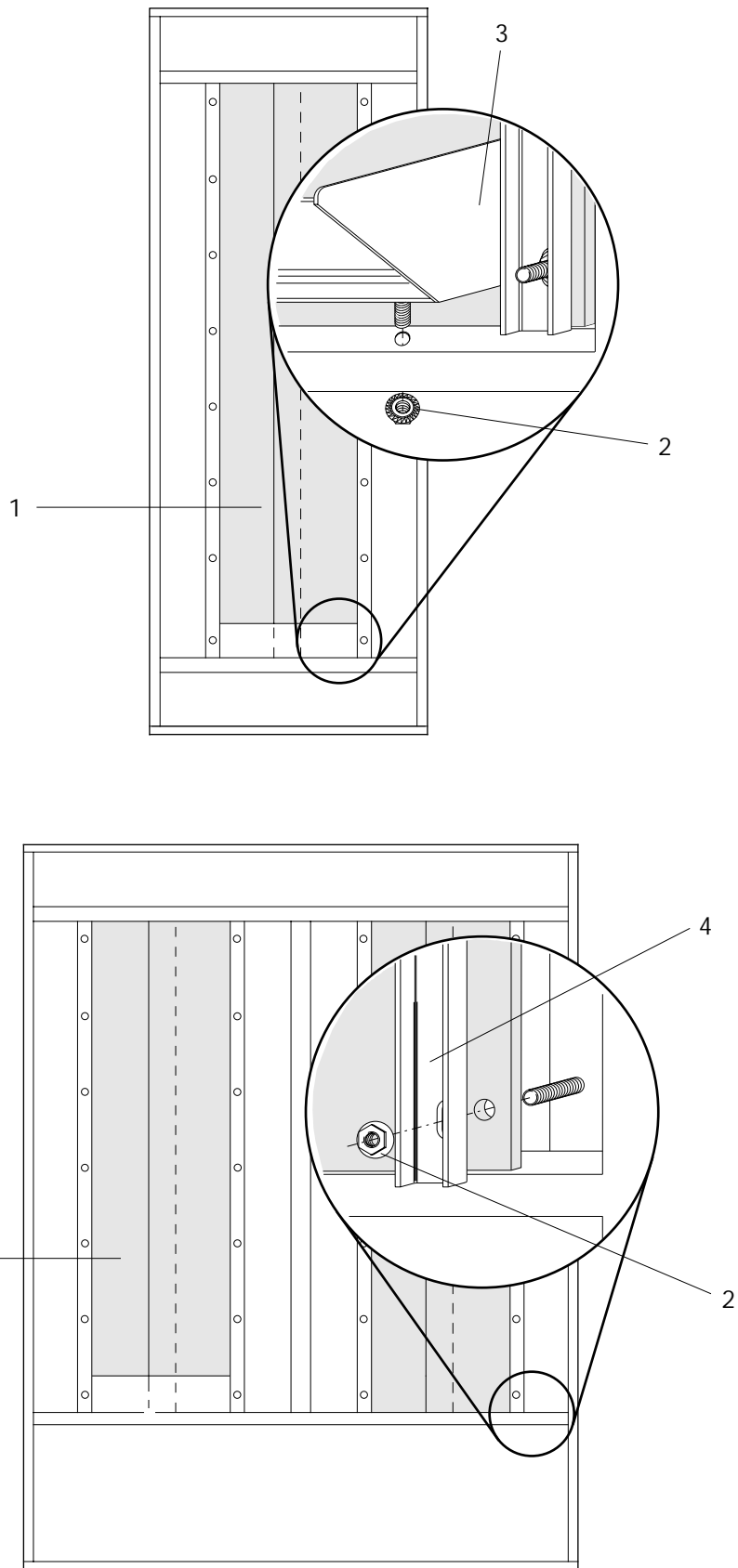


Figure 1.

## Fluidizing Channel (and Magnetic Separator)

1	Fluidizing channel plate :	
	100/14	360 929
	100/18	360 937
	100/14-RA	360 945
	100/18-RA	360 953
	100-ER/14	360 961
	100-ER/18	360 970
	100-EL/14	360 988
	100-EL/18	360 996
2	Fluidizing plate - 14	360 791#
	Fluidizing plate - 18	360 805#
3	Seal	360 813
6	Elbow connection - 1/8" - ø 8 mm	203 050
7	Plastic hose - ø 8 / 6 mm (Black)	103 152
8	Fluidizing pad	404 780
9	Diaphragm connection	301 299
10	T-Connection - ø 8 mm-1/8" - ø 8 mm	251 240

## Magnetic Separator

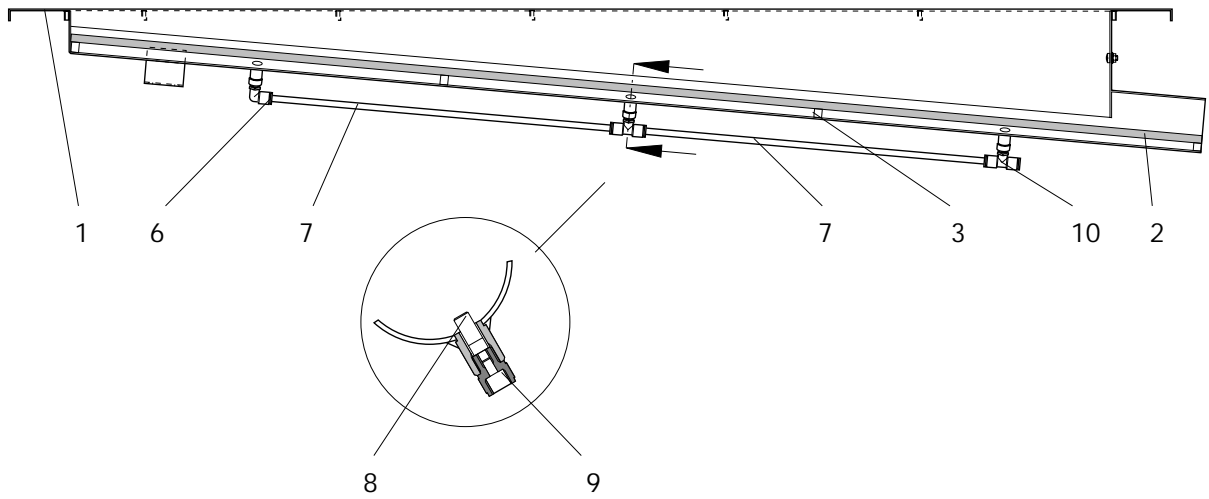
1	Magnetic Separator - complete	360 473
2	Grip pin - ø 8 x 80 mm	252 018
3	Grip	360 465
4	Permanent magnet (68 mm long)	250 562
5	Magnetic Separator holder	360 481

# Wear parts

\* Please indicate length required



Fluidizing Channel (and Magnetic Separator)



Magnetic Separator

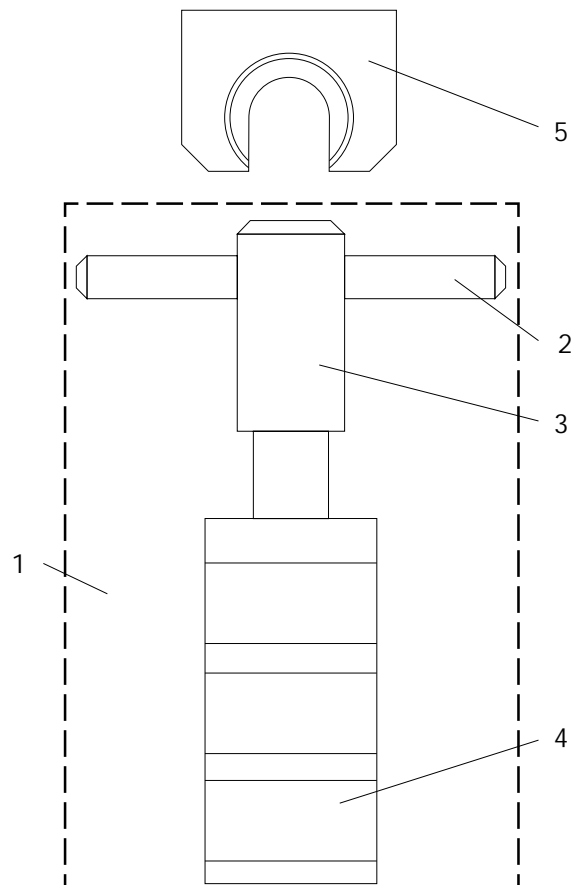


Figure 2.

## Squeegee Unit

4	End cam - left	358 800
5	Leaf spring	358 886
6	Lifting cam	358 797
7	Slider	358 851
8	Carriage shoe bearing	347 493#
9	Lifting rod	358 878
10	Squeegee bar (Booth width - 1400 mm)	359 750
	Squeegee bar (Booth width - 1800 mm)	359 769
11	Squeegee blade clamping plate (Booth width - 1400 mm)	356 417
	Squeegee blade clamping plate (Booth width - 1800 mm)	356 425
12	Cable cleaning bush	353 663#
13	Cable cleaning bush holder	353 655
14	Screw-on quick-release connector - 1/4"	236 071
15	Screw-in elbow socket - ø 8 mm / 1/8"	203 050
16	Threaded T-Connector - 1/8" -1/8"	246 727
17	Screw-in hose connector - ø 8 mm / 1/4"	245 933
18	Proximity switch	244 783
19	Proximity switch gasket	351 075
20	Carriage shoe	358 835
21	Rubber squeegee blade (Booth width - 1400 mm)	356 395*#
	Rubber squeegee blade (Booth width - 1800 mm)	356 409*#
22	Guideway (1000 mm long)	351 350*#
	Guideway (2000 mm long)	351 369*#
23	Clamp plate	358 843
24	Slider guide - Left	358 819
25	Slider guide - Right	358 827
26	Spring clamp plate	358 894
27	Stop cam	358 860

# Wear parts

\* Please indicate length required

Squeegee Unit

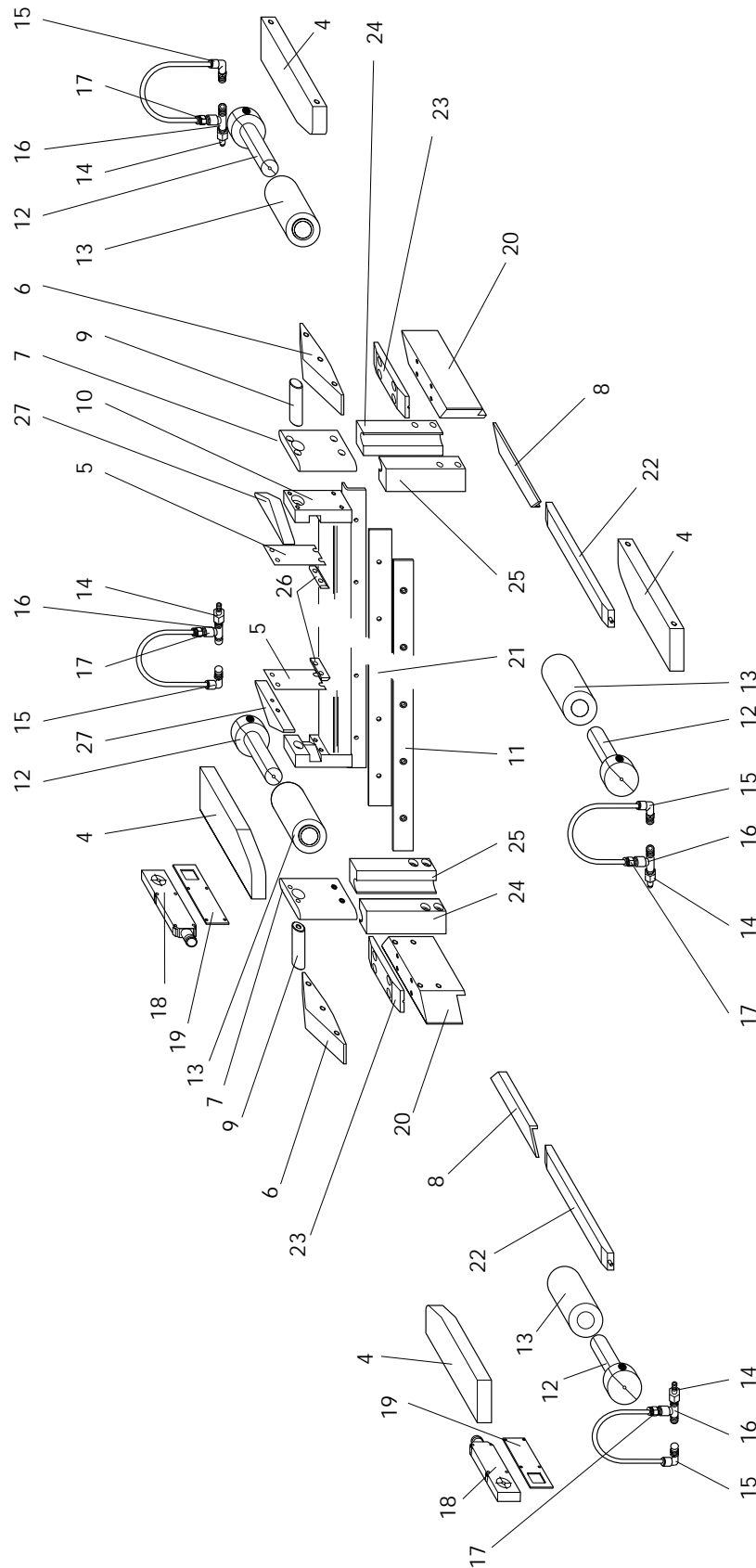


Figure 3.

## Drive Unit

1	Cable drum (booth lengths up to 6000 mm)	351 601
	Cable drum (booth lengths up to 8000 mm)	351 610
	Cable drum (booth lengths up to 11000 mm)	351 628
2	Drive shaft (booth width 1400 mm)	351 415
	Drive shaft (booth width 1800 mm)	351 423
3	Sprocket (13 teeth)	360 686
	Feather key	On request
4	Drive motor - 0.25 kW, Ratio - 70:1 - with slipping clutch	251 461
5	Pedestal bearing	244 708
6	Sprocket (40 teeth)	360 694
7	Drive chain - 1/2" x 5/16" x 711 mm	251 453
	Connecting link - 1/2" x 5/16"	201 405
8	Spindle clamp - $\varnothing$ 30 x 55 x 47 mm	244 716
9	Cable - $\varnothing$ 3 / 4 mm	103 870*

# Wear Parts

\* Please indicate length required

Drive Unit

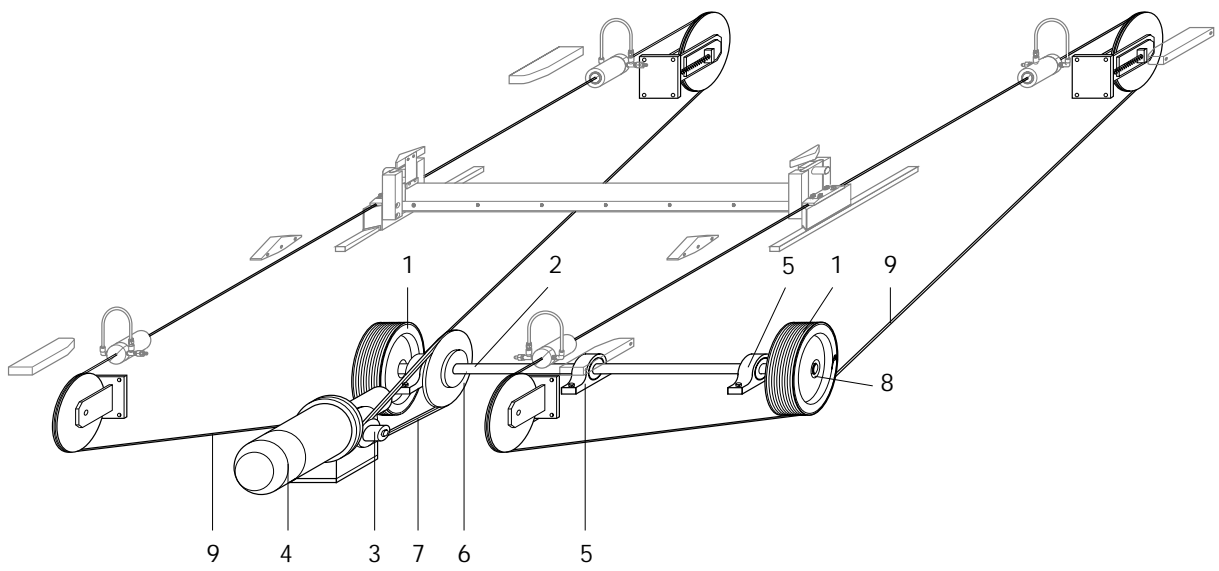


Figure 4

## Cable Pulleys

### Fixed pulley

1	Cable pulley holder	350 095
2	Cable pulley wheel	350 109
3	Spindle	350 117
4	Spacing sleeve	350 125
5	C-Ring	233 617
6	Ball race - $\varnothing$ 15 / 32 x 9 mm	241 709#

### Adjustable pulley

1	Adjustable cable pulley bracket	359 904
2	Cable pulley	350 109
3	Spindle	350 176
4	Spindle bracket	359 882
5	Spacing washer	350 206
6	Slide piece	350 362#
9	C-Ring	233 617
10	Ball race - $\varnothing$ 15 / 32 x 9 mm	241 709#
11	C/sk screw - M6 x 20 mm	214 523
12	Spring washer	215 953
15	Hex. Screw - M8 x 80 mm	221 031
16	Hex. Nut - M8	215 570

# Wear Parts

\* Please indicate length required

Cable Pulleys

Fixed pulley

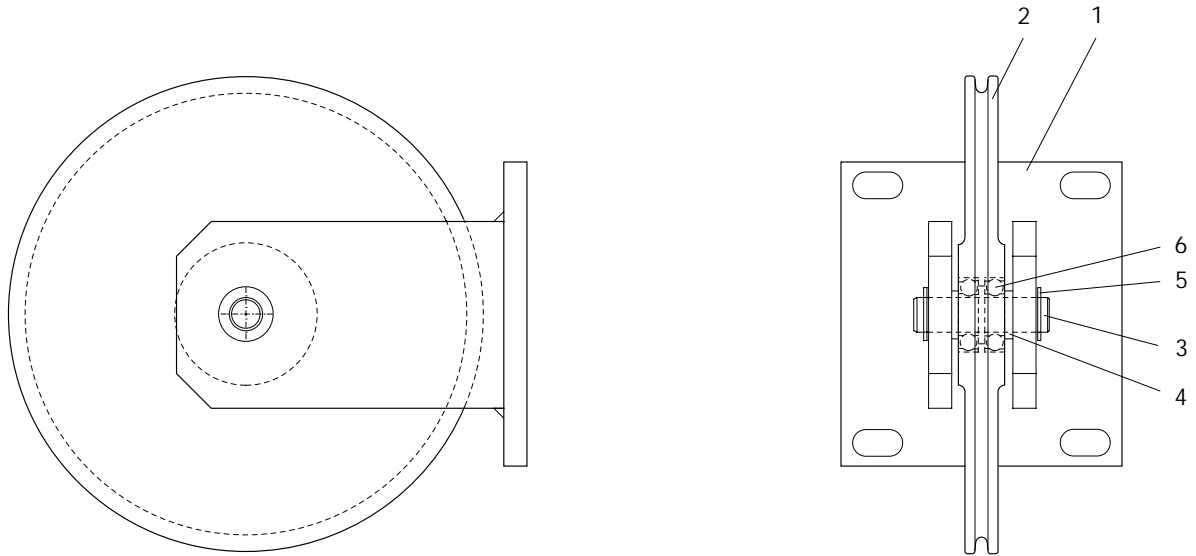


Figure 5.

Adjustable pulley

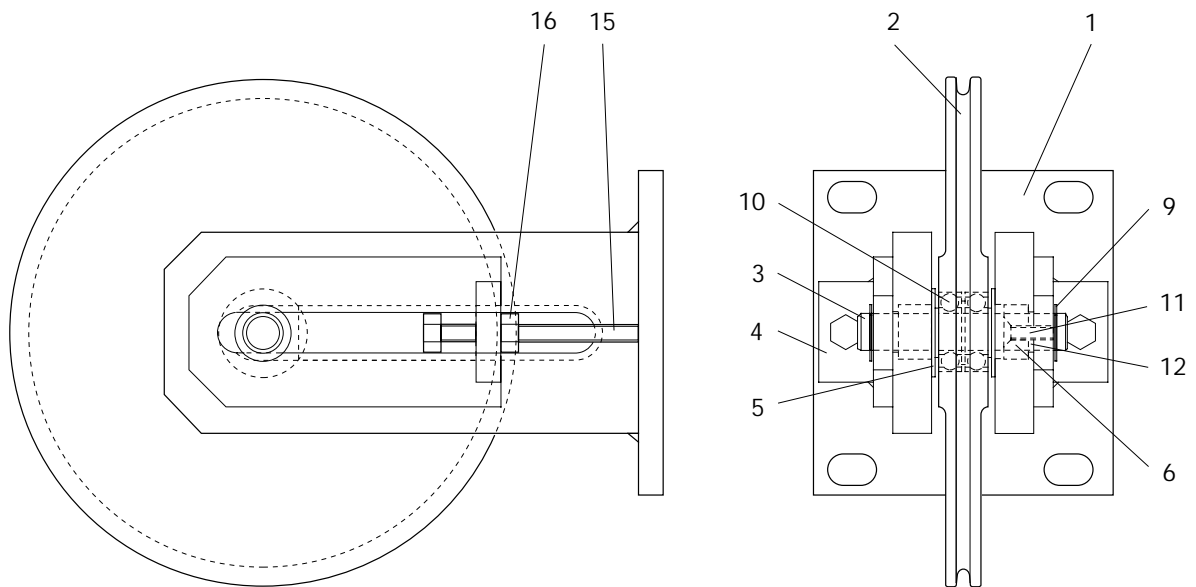


Figure 6.

## Pressure Monitoring Unit

1	Pressure gauge - 0-2.5 kPa (Versions 1, 2 or 4)	243 760
	Pressure gauge - 0-5 kPa (Versions 1, 2 or 4 )	243 779
	Pressure gauge - 0 - 8 kPa (Version 4)	251 844
2	Differential pressure switch - 0.5-2.5 kPa (Version 4)	243 736
	Differential pressure switch - 1,25 - 11 kPa (Version 4)	243 752
	Differential pressure switch - 0.75-5.6 kPa (Version 4)	243 744
4	Silencer	237 264#
5	Hose connector -1/8" - ø 8 mm	242 853
6	T-Connector - 1/8" - ø 8- ø 8 mm	250 970
7	Plastic hose - ø 8 / 6 mm (Black)	103 152*
10	Blind grommet	208 191

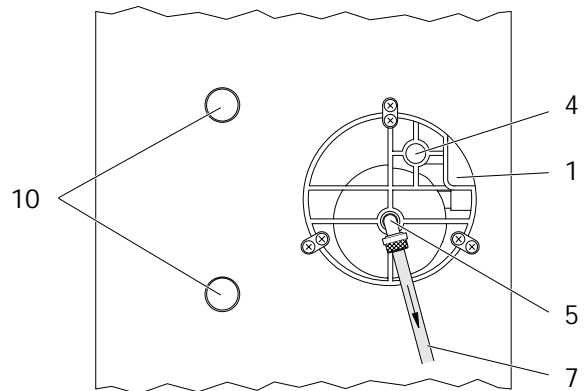
# Wear Parts

\* Please indicate length required

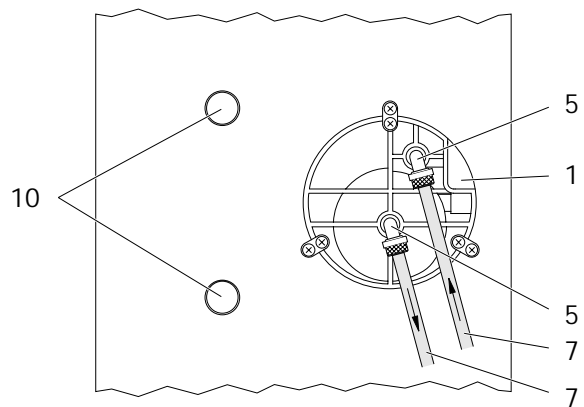


Pressure Monitoring Unit

Version 1  
Filter in Filter Trolley  
(Type : 5.0 - 0/S)



Version 2  
Filter in After Filter  
(Type : 5.0 - 0)



Version 4  
Fan in After Filter or  
in Filter Trolley  
(Type : 5.0 - 2 or Type : 8.0 - 2)

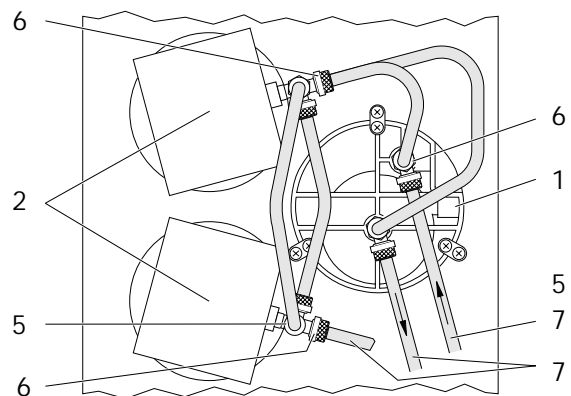


Figure 7.

Pressure tank in After Filter  
Pneumatic Unit (NW12-10B-SA1)<sup>‡</sup>

	Pneumatic Unit - NW12-10B-SA1 <sup>‡</sup> - complete	352 942
1	Pressure reducing valve - 0-10 Bar	243 710
2	Pressure gauge - 0-10 Bar	243 620
6	Double adapter - 1/2" - 1/2" (detachable)	243 582
7	Elbow connection - 1/8" - ø 6 mm	203 033
8	Hose connection - 1/8" - ø 6 mm	233 412
9	Elbow connection - 1/2" - 1/2"	223 166
12	Hose nozzle - ø 12 mm / 1/2"	223 050
17	Hose clamp	203 386
18	Clamp ring	352 918
21	Quick-release coupling - ø 10 mm	239 267
22	Solaflex hose - ø 18 / 15 mm	102 253*
24	Plastic hose - ø 6 / 4 mm (Black)	103 144*
	Compressed air distributor :	
	4 holes	353 051
	8 holes	353 060

<sup>‡</sup>NW = Nominal hose diameter  
B = Bar  
SA = Hose connection

# Wear Parts

\* Please indicate length required

Pressure tank in After Filter  
Pneumatic Unit (NW12-10B-SA1)†

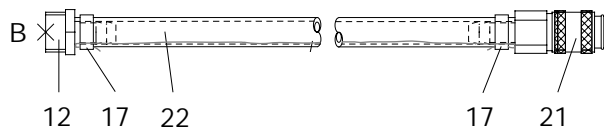
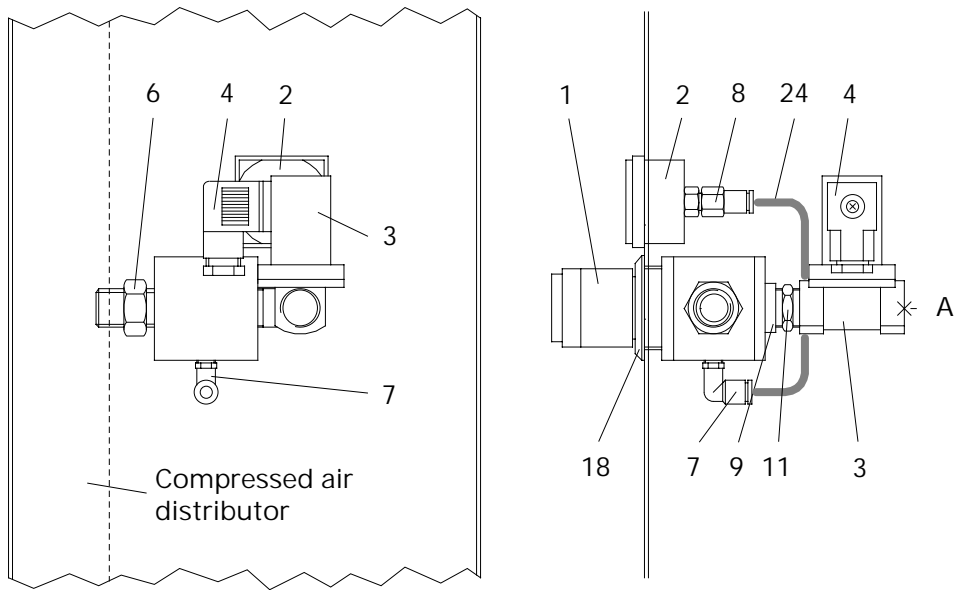


Figure 8.

## Suction Point - Fluidizing Channel in Filter Trolley Pneumatic Unit (NW12-4B-MV-SA1)<sup>‡</sup>

	Pneumatic Unit - NW12-4B-MV-SA1 <sup>‡</sup> - complete	352 950
1	Pressure reducing valve - 0-4 Bar	240 028
2	Pressure gauge - 0-4 Bar	235 814
3	Solenoid valve - 24 VAC	245 860
	Coil - 24 VAC	245 895
	Coil - 24 VDC	243 671
4	Plug - 3 pole	200 077
6	Double adapter - 1/2" - 1/2" (detachable)	243 582
7	Elbow connection - 1/8" - ø 6 mm	203 033
8	Hose connection - 1/8" - ø 6 mm	233 412
9	Elbow connection - 1/2" - 1/2"	223 166
10	Elbow connection - 1/2" - 1/2"	223 166
11	Double adapter - 1/2" - 1/2"	243 540
12	Hose nozzle - ø 12 mm / 1/2"	223 050
17	Hose clamp	203 386
18	Clamp ring	352 918
21	Quick-release coupling - ø 10 mm	239 267
22	Solaflex hose - ø 12 / 3 mm	102 253*
24	Plastic hose - ø 6 / 4 mm (Black)	103 144*
25	Braided copper wire	103 373*
	Compressed air distributor :	
	4 holes	353 051
	8 holes	353 060

<sup>‡</sup> NW = Nominal hose diameter  
 B = Bar  
 MV = Solenoid Valve  
 SA = Hose connection

# Wear Parts

\* Please indicate length required

Suction Point - Fluidizing Channel in Filter Trolley  
Pneumatic Unit (NW12-4B-MV-SA1)†

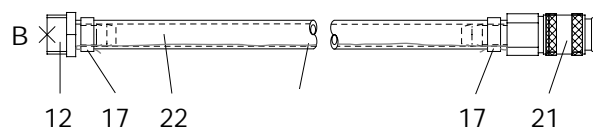
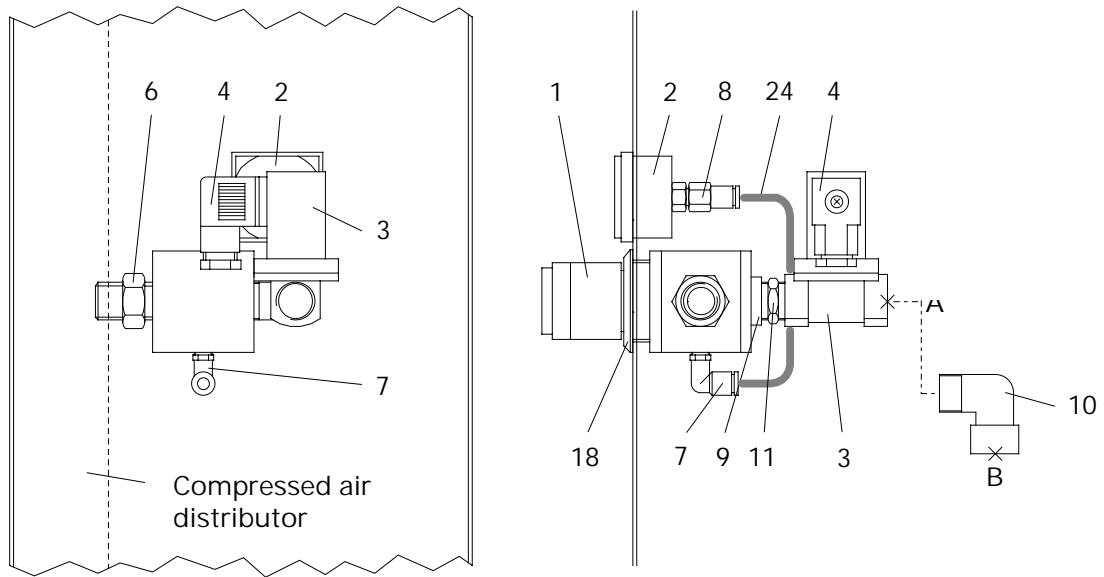


Figure 9.

## Fluid Channel in Filter Trolley Pneumatic Unit (NW06-4B-MV-SA2)<sup>‡</sup>

	Pneumatic Unit - NW06-4B-MV-SA2 <sup>‡</sup> - complete	352 969
1	Pressure reducing valve - 0-4 Bar	240 028
2	Pressure gauge - 0-4 Bar	235 814
3	Solenoid valve - 24 VAC	240 060
	Coil - 24 VAC	245 895
	Coil - 24 VDC	243 701
4	Plug - 3 pole	200 077
6	Double adapter - 1/2" - 1/2" (detachable)	243 582
7	Elbow connection - 1/8" -ø 6 mm	203 033
8	Hose connection - 1/8" -ø 6 mm	233 412
9	Elbow connection - 1/2" - 1/2"	223 166
11	Double adapter - 3/8" - 1/2"	244 317
13	Screw-in elbow socket - ø 8 mm/3/8"	240 010
16	Quick-release coupling - ø 8 mm	203 181
18	Clamp ring	352 918
23	Plastic hose - ø 08/06 mm (Black)	103 152*
24	Plastic hose - ø 06/04 mm (Black)	103 144*
	Compressed air distributor :	
	4 holes	353 051
	8 holes	353 060

<sup>‡</sup> NW = Nominal hose diameter  
 B = Bar  
 MV = Solenoid valve  
 SA = Hose connection

# Wear Parts

\* Please indicate length required

Fluid Channel in Filter Trolley  
Pneumatic Unit (NW06-4B-MV-SA2)†

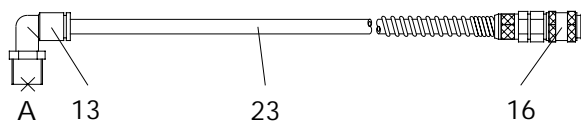
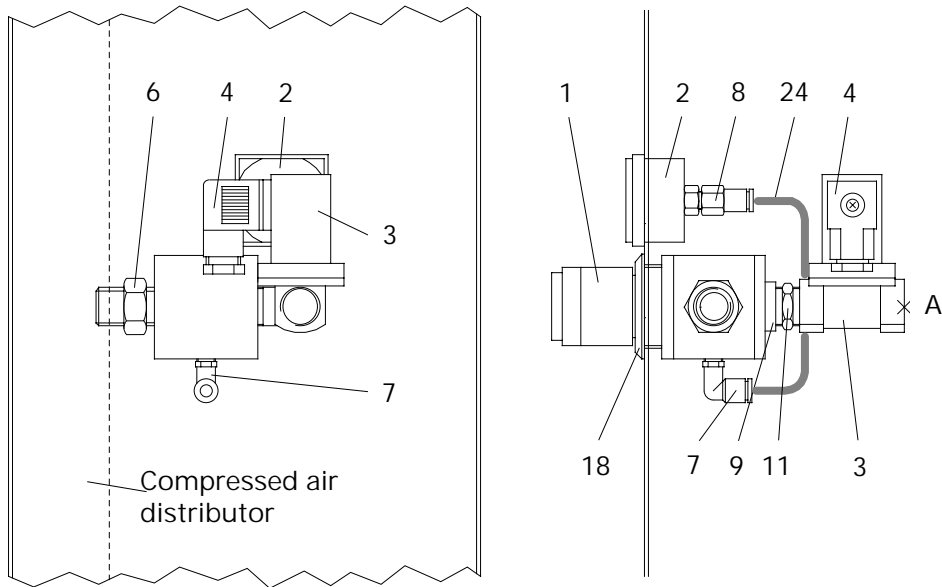


Figure 10.

## Cable rinsing - Squeegee Pneumatic Unit (NW06-4B-MV-4F-SA3)<sup>‡</sup>

	Pneumatic Unit - NW06-4B-MV-4F-SA3 <sup>‡</sup> - complete	352 977
1	Pressure reducing valve - 0-4 Bar	240 028
2	Pressure gauge - 0-4 Bar	235 814
3	Solenoid valve - 24 VAC	240 060
	Coil - 24 VAC	245 895
	Coil - 24 VDC	243 701
4	Plug - 3 pole	200 077
6	Double adapter - 1/2" - 1/2" (detachable)	243 582
7	Elbow connection - 1/8" - ø 6 mm	203 033
8	Hose connection - 1/8" - ø 6 mm	233 412
9	Elbow connection - 1/2" - 1/2"	223 166
11	Double adapter - 3/8" - 1/2"	244 317
14	Threaded Y-Connector - 3/8" - ø 8 mm	235 873
15	T-Connector - ø 8 / ø 8 / ø 8 mm	230 987
16	Quick-release coupling - ø 8 mm	203 181
18	Clamp ring	352 918
23	Plastic hose - ø 8 / 6 mm (Black)	103 152*
24	Plastic hose - ø 6 / 4 mm (Black)	103 144*
	Compressed air distributor :	
	4 holes	353 051
	8 holes	353 060

\* NW = Nominal hose diameter  
 B = Bar  
 MV = Solenoid valve  
 F = Fluidizing connection  
 SA = Hose connection

# Wear Parts

\* Please indicate length required



Cable rinsing - Squeegee  
Pneumatic Unit (NW06-4B-MV-4F-SA3)<sup>†</sup>

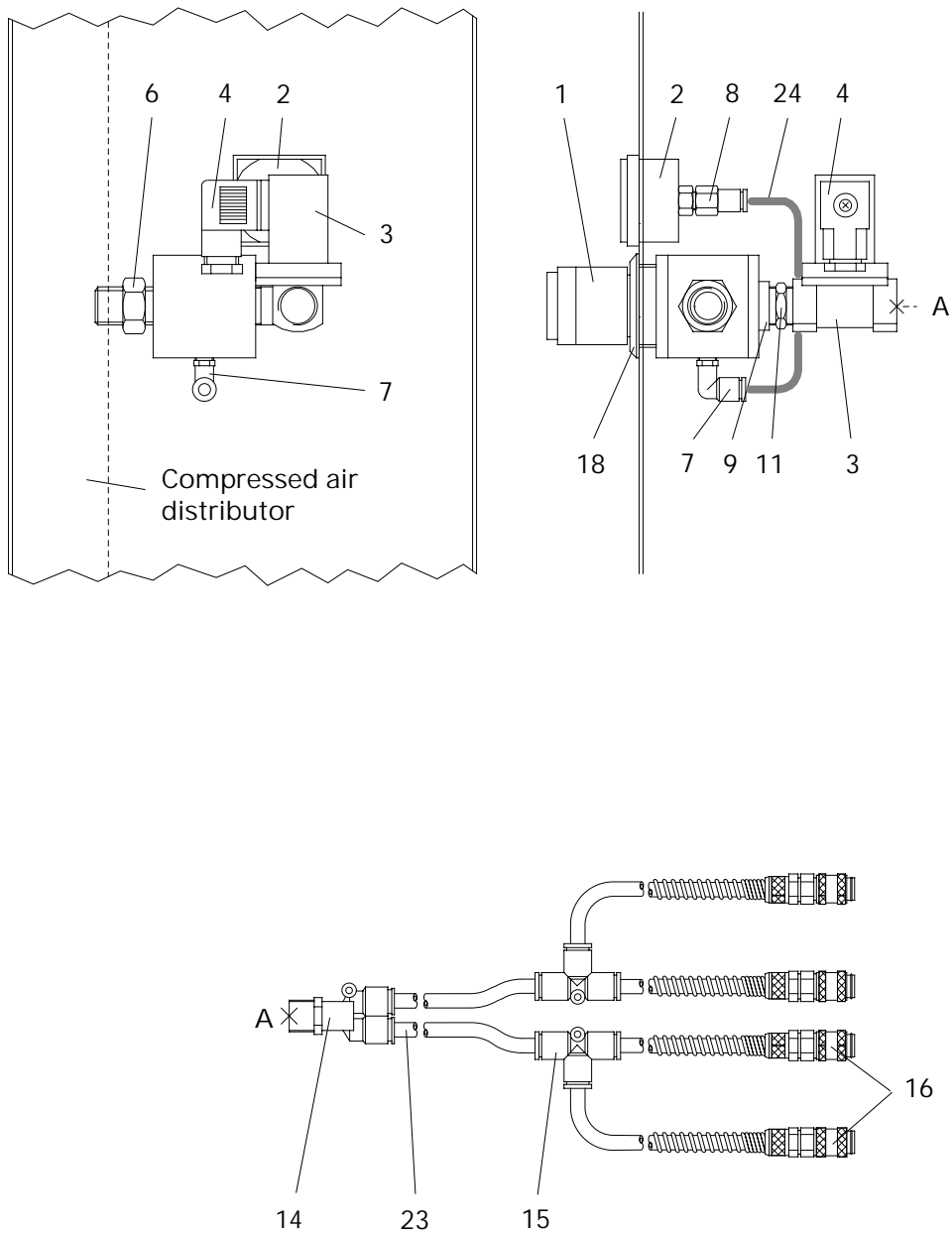


Figure 11.

## Reserve Unit Pneumatic Unit (NW12-10B-MV-SA1)<sup>‡</sup>

	Pneumatic Unit - NW12-10B-MV-SA1 <sup>‡</sup> - complete	352 985
1	Pressure reducing valve - 0-10 Bar	243 710
2	Pressure gauge - 0-10 Bar	243 620
3	Solenoid valve - 24 VAC	245 860
	Coil - 24 VAC	245 887
4	Plug - 3 pole	200 077
6	Double adapter - 1/2" - 1/2" (detachable)	243 582
7	Elbow connection - 1/8" - ø 6 mm	203 033
8	Hose connection - 1/8" - ø 6 mm	233 412
9	Elbow connection - 1/2" - 1/2"	223 166
10	Elbow connection - 1/2" - 1/2"	223 166
11	Double adapter - 1/2" - 1/2"	243 540
12	Hose nozzle - ø12 mm / 1/2"	223 050
17	Hose clamp	203 386
18	Clamp ring	352 918
21	Quick-release coupling - ø 10 mm	239 267
22	Solaflex hose - ø 12 / 3 mm	102 253*
24	Plastic hose - ø 6 / 4 mm (Black)	103 144*
	Compressed air distributor :	
	4 holes	353 051
	8 holes	353 060

<sup>‡</sup> NW = Nominal hose diameter  
 B = Bar  
 MV = Solenoid valve  
 SA = Hose connection

# Wear Parts

\* Please indicate length required

Reserve Unit  
Pneumatic Unit (NW12-10B-MV-SA1)<sup>†</sup>

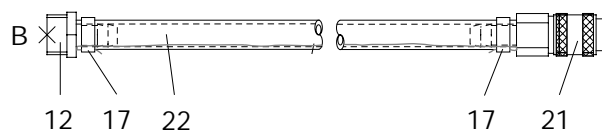
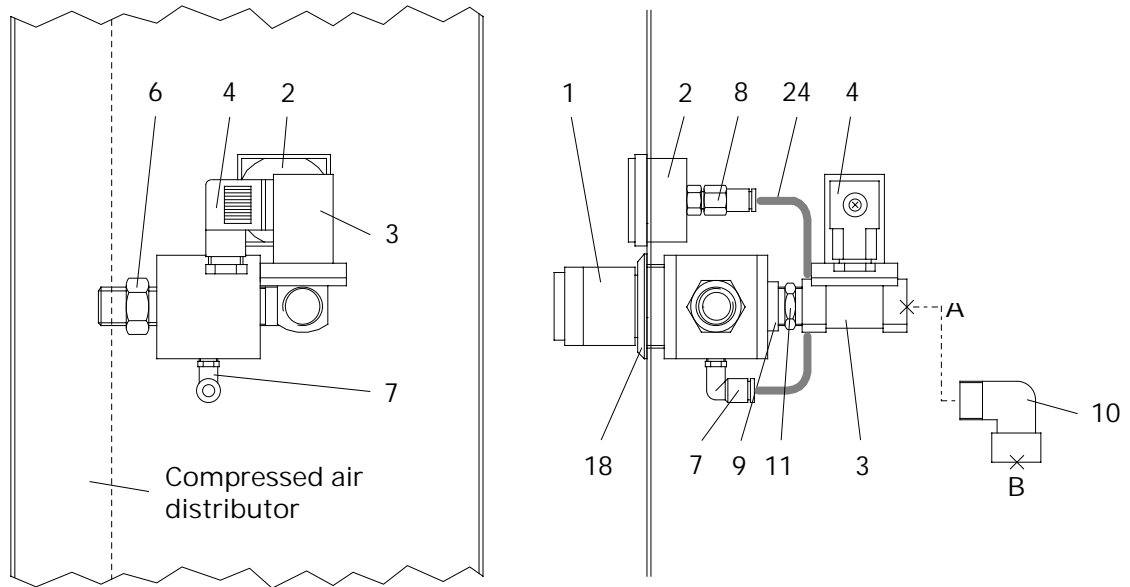


Figure 12.

## Suction Point - Fluidizing Channel in Booth Pneumatic Unit (NW12-4B-MV-2F-SA1)<sup>†</sup>

	Pneumatic Unit - NW12-4B-MV-2F-SA1 <sup>†</sup> - complete	353 922
1	Pressure reducing valve - 0-4 Bar	240 028
2	Pressure gauge - 0-4 Bar	235 814
3	Solenoid valve - 24 VAC	245 860
	Coil - 24 VAC	245 887
	Coil - 24 VDC	243 671
4	Plug - 3 pole	200 077
5	Threaded T-Connector - 1/2" - 1/2"	223 301
6	Double adapter - 1/2" - 1/2" (detachable)	243 582
7	Elbow connection - 1/8" - ø 6 mm	203 033
8	Hose connection - 1/8" - ø 6 mm	233 412
9	Elbow connection - 1/2" - 1/2"	223 166
10	Elbow connection - 1/2" - 1/2"	223 166
11	Double adapter - 1/2" - 1/2"	243 540
12	Hose nozzle - ø 12 mm / 1/2"	223 050
17	Hose clamp	203 386
18	Clamp ring	352 918
21	Quick-release coupling - ø 10 mm	239 267
22	Solaflex hose - ø 12/03 mm	102 253*
24	Plastic hose - ø 06/04 mm (Black)	103 144*
25	Braided copper (grounding) wire	103 373#
	Compressed air distributor :	
	4 holes	353 051
	8 holes	353 060

<sup>†</sup> NW = Nominal hose diameter  
 B = Bar  
 MV = Solenoid valve  
 F = Fluidizing connection  
 SA = Hose connection

# Wear Parts

\* Please indicate length required

Suction Point - Fluidizing Channel in Booth  
Pneumatic Unit (NW12-4B-MV-2F-SA1)<sup>†</sup>

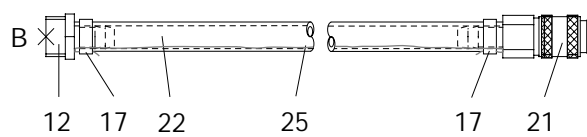
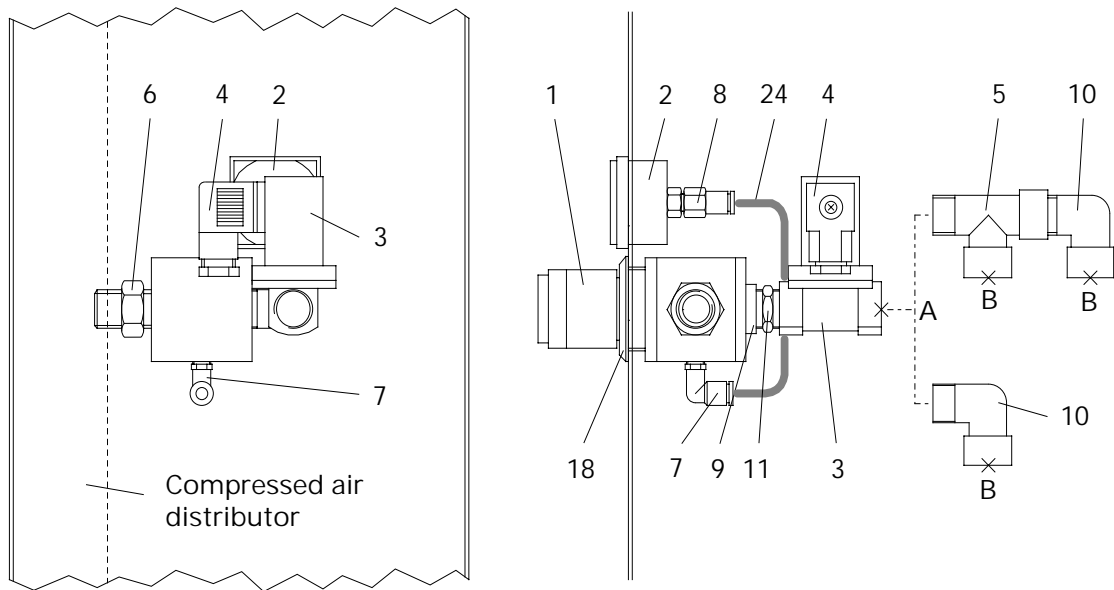


Figure 13.

## Connecting Frame Multicyclone-After Filter / Filter Trolley-Jet Cleaning Unit Pneumatic Unit (NW06-4B-MV-D08)<sup>‡</sup>

	Pneumatic Unit - NW06-4B-MV-D08 <sup>‡</sup> - complete	353 930
1	Pressure reducing valve - 0-4 Bar	240 028
2	Pressure gauge - 0-4 Bar	235 814
3	Solenoid valve - 24 VAC	247 731
	Solenoid valve - 24 VDC	247 740
4	Plug - 3 pole	200 077
6	Double adapter - 1/2" - 1/2" (detachable)	243 582
7	Elbow connection - 1/8" - ø 6 mm	203 033
8	Hose connection - 1/8" - ø 6 mm	233 412
9	Elbow connection - 1/2" - 1/2"	223 166
11	Double adapter - 3/8" - 1/2"	244 317
13	Screw-in elbow socket - ø 8 mm / 3/8"	240 010
18	Clamp ring	352 918
23	Plastic hose - ø 8 / 6 mm (Black)	103 152*
24	Plastic hose - ø 6 / 4 mm (Black)	103 144*
	Compressed air distributor :	
	4 holes	353 051
	8 holes	353 060

‡ NW = Nominal hose diameter  
 B = Bar  
 MV = Solenoid valve  
 D = Hose diameter

# Wear Parts

\* Please indicate length required

Connecting Frame  
 Multicyclone-After Filter / Filter Trolley-Jet Cleaning Unit  
 Pneumatic Unit (NW06-4B-MV-D08)<sup>†</sup>

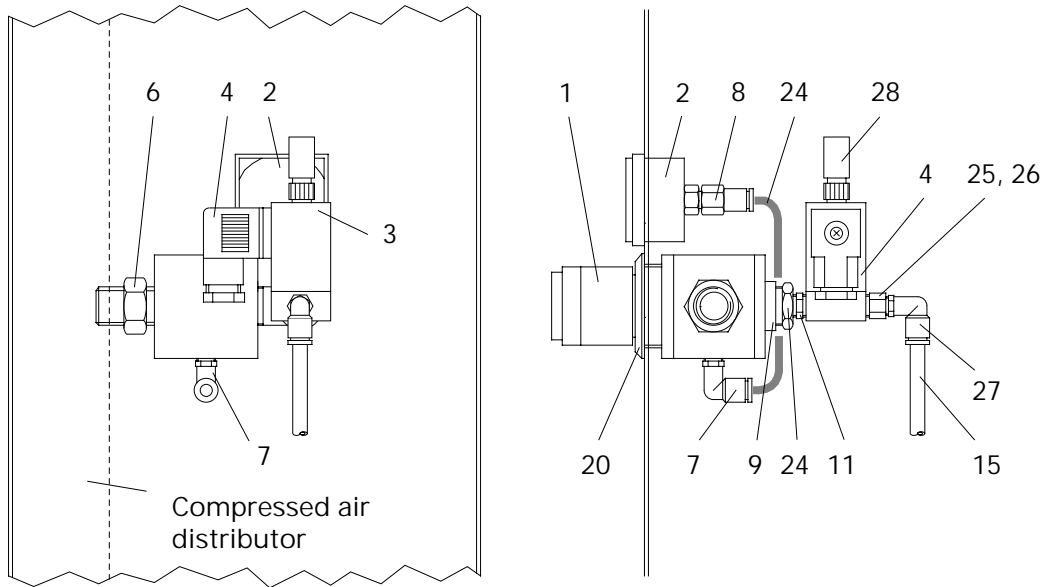


Figure 14.

## Reserve Unit Pneumatic Unit (NW06-4B-MV- 2F-SA4)‡

	Pneumatic Unit - NW06-4B-MV- 2F-SA4‡ - Complete	355 143
1	Pressure reducing valve - 0-4 Bar	240 028
2	Pressure gauge - 0-4 Bar	235 814
3	Solenoid valve - 24 VAC	240 060
	Coil - 24 VAC	245 895
4	Plug - 3 pole	200 077
6	Double adapter - 1/2" - 1/2" (detachable)	243 582
7	Elbow connection - 1/8" - ø 6 mm	203 033
8	Hose connection - 1/8" - ø 6 mm	233 412
9	Elbow connection - 1/2" - 1/2"	223 166
11	Double adapter - 3/8" - 1/2"	244 317
13	Screw-in elbow socket - ø 8 mm/3/8"	240 010
15	T-Connector - ø 8- ø 8- ø 8 mm	230 987
18	Clamp ring	352 918
19	Elbow socket - ø 8 x ø 8 mm	230 995
20	Hose adapter - ø 6 / ø 8 mm	245 909
23	Plastic hose - ø 8 / 6 mm (Black)	103 152*
24	Plastic hose - ø 6 / 4 mm (Black)	103 144*
	Compressed air distributor :	
	4 holes	353 051
	8 holes	353 060

- \* NW = Nominal hose diameter
- B = Bar
- MV = Solenoid valve
- F = Fluidizing air connection
- SA = Hose connection

# Wear Parts

\* Please indicate length required



Reserve Unit  
Pneumatic Unit (NW06-4B-MV- 2F-SA4)†

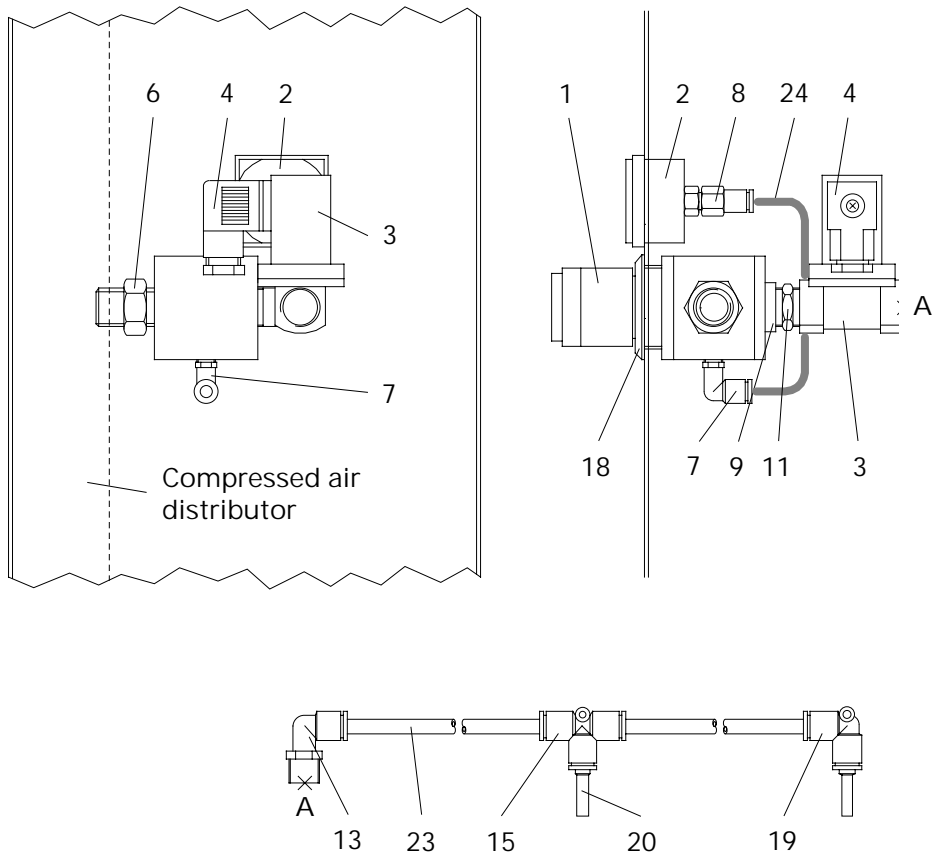


Figure 15.

## Door Unit

1	Door frame element	
2	Door	
3	Ball catch screw - M 12 x 28 mm	244 872
4	Hex. Nut - M 12	215 597
5	Door grip	244 864
6	Allen screw - M 6 x 16 mm	216 410
7	Hollow rubber seal - 17 x 11 mm	103 918*

### Double door unit only :

	Rubber seal profile - 10 x 4 mm	103 934*
--	---------------------------------	----------

# Wear Parts

\* Please indicate length required

Door Unit

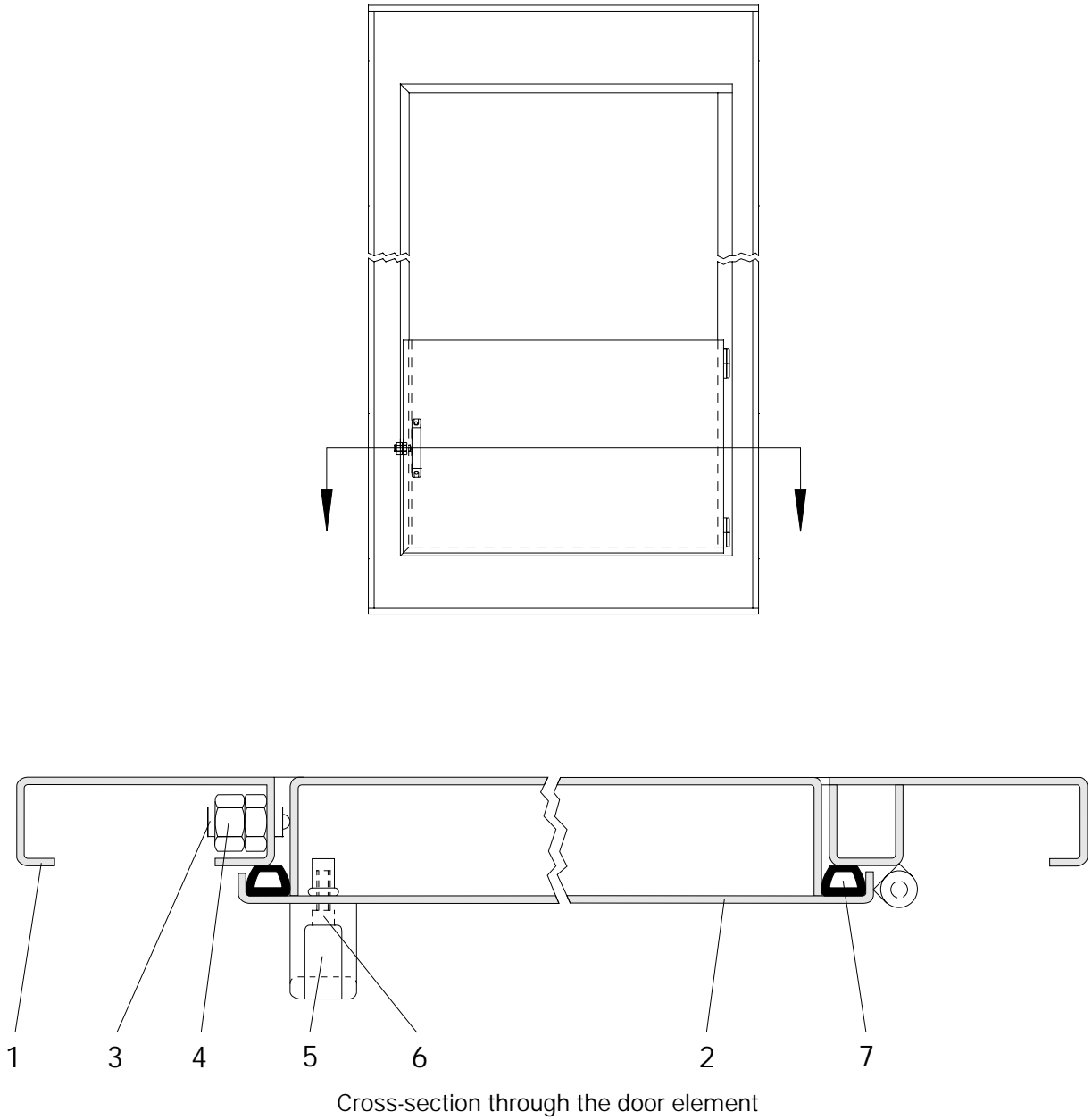


Figure 16.

## Miscellaneous booth parts

1	Gun holder	351 849
2	Emergency Stop switch holder	351 857
3	Return air connector - Single connection :	
	$\varnothing$ 32 mm - Airmover	351 768
	$\varnothing$ 40 mm - PH Powder Hopper venting	351 776
	$\varnothing$ 50 mm - Rapp Sieve	351 784
	$\varnothing$ 60 mm - PS Powder Sieve	351 792
4	Return air connector - Double connection :	
	$\varnothing$ 50 mm - Rapp Sieve + $\varnothing$ 32 mm - Airmover	351 881
	$\varnothing$ 50 mm - Rapp Sieve + $\varnothing$ 40 mm - Powder Hopper venting	351 890
	Double connection :	
	$\varnothing$ 60 mm - PS Powder Sieve + $\varnothing$ 32 mm - Airmover	351 903
	$\varnothing$ 60 mm - PS Powder Sieve + $\varnothing$ 40 mm - Powder Hopper venting	351 991
5	Return air connector - Triple connection :	
	$\varnothing$ 50 mm + $\varnothing$ 40 mm + $\varnothing$ 40 mm	353 469
	$\varnothing$ 50 mm + $\varnothing$ 40 mm + $\varnothing$ 32 mm	343 477
	$\varnothing$ 50 mm + $\varnothing$ 32 mm + $\varnothing$ 32 mm	353 485
6	Return air connector - Triple connection :	
	$\varnothing$ 60 mm + $\varnothing$ 40 mm + $\varnothing$ 40 mm	353 493
	$\varnothing$ 60 mm + $\varnothing$ 40 mm + $\varnothing$ 32 mm	353 507
	$\varnothing$ 60 mm + $\varnothing$ 32 mm + $\varnothing$ 32 mm	353 515

Miscellaneous booth parts

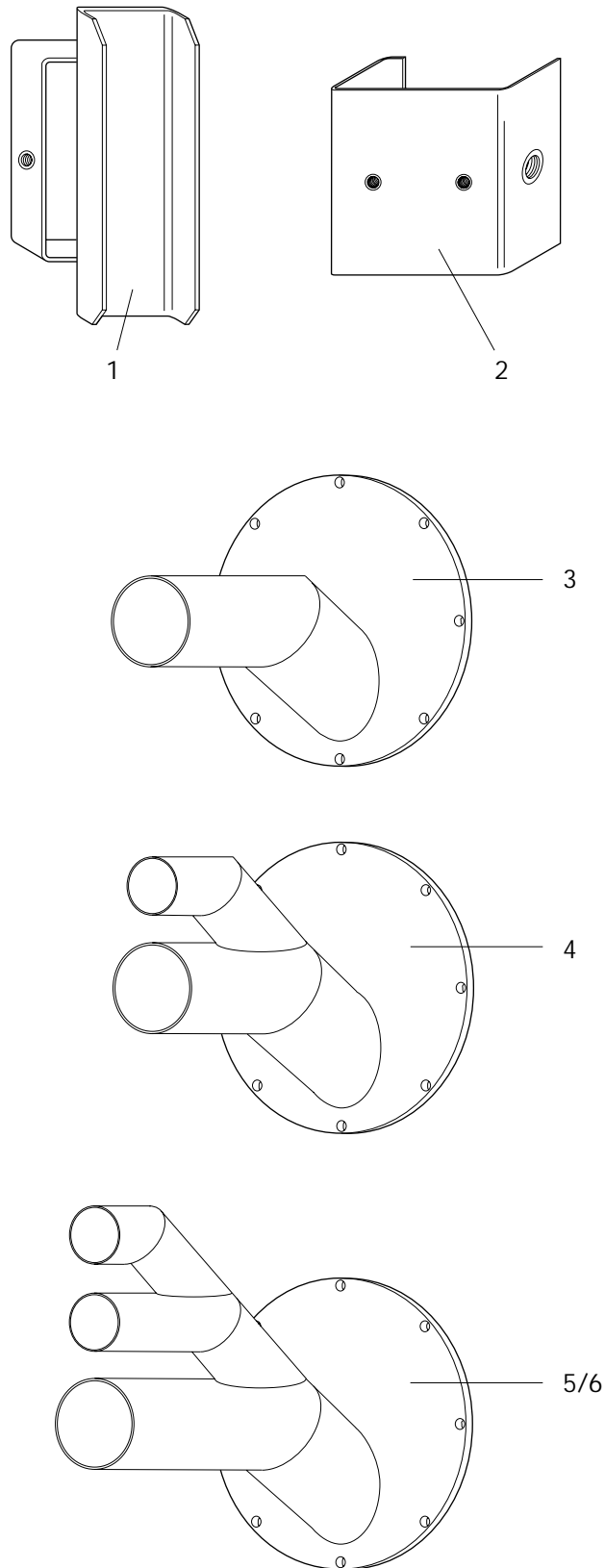


Figure 17.

## Powder Hopper Fluidization ADU Air Distributor Unit/PH Powder Hopper

1	Front plate - 3 cut-outs	
2	Pressure reducing valve - Max. 4 Bar	241 369
3	Control knob	200 069
4	Locking nut - M 14 x 1mm	302 163
5	Pressure gauge - 0-4 Bar	235 814
6	Booster - complete	342 750
	Bobbin - AC	241 865
	Bobbin - DC	241 857
7	Solenoid valve - 24 V	245 860
	Bobbin - 24 VAC	245 887
	Bobbin - 24 VDC	243 671
8	Plug - 3 pole	200 077
10	Elbow socket - $\varnothing$ 8 - $\varnothing$ 8 mm	230 995
11	Adapter - $\varnothing$ 6 / $\varnothing$ 8 mm	245 909
15	Double adapter - 1/2" -1/2" (detachable)	243 582
16	Threaded elbow - 1/2" -1/2"	223 166
17	Double adapter - 3/8" -1/2"	244 317
19	Threaded elbow - 3/8" - 3/8"	223 158
21	Screw-in elbow socket - 1/8" - $\varnothing$ 6 mm	203 033
23	Hose connector - 1/8" - $\varnothing$ 6 mm	233 412
24	Threaded plug - 1/8"	203 297
25	Hose nozzle - $\varnothing$ 12 mm - 3/8"	220 000
26	Quick-release coupling - $\varnothing$ 10 mm	239 267
27	Hose clamp	203 386
28	Solaflex hose - $\varnothing$ 12 / 3 mm	102 253*
29	Braided copper (grounding) wire	103 373*
30	Quick-release coupling - $\varnothing$ 8 mm	203 181
31	Plastic hose - $\varnothing$ 8 / 6 mm (Black)	103 152*
32	Plastic hose - $\varnothing$ 6/ 4 mm (Black)	103 144*
	Compressed air distributor :	
	4 holes	353 051
	8 holes	353 060

# Wear Parts

\* Please indicate length required

Powder Hopper Fluidization  
ADU Air Distributor Unit/PH Powder Hopper

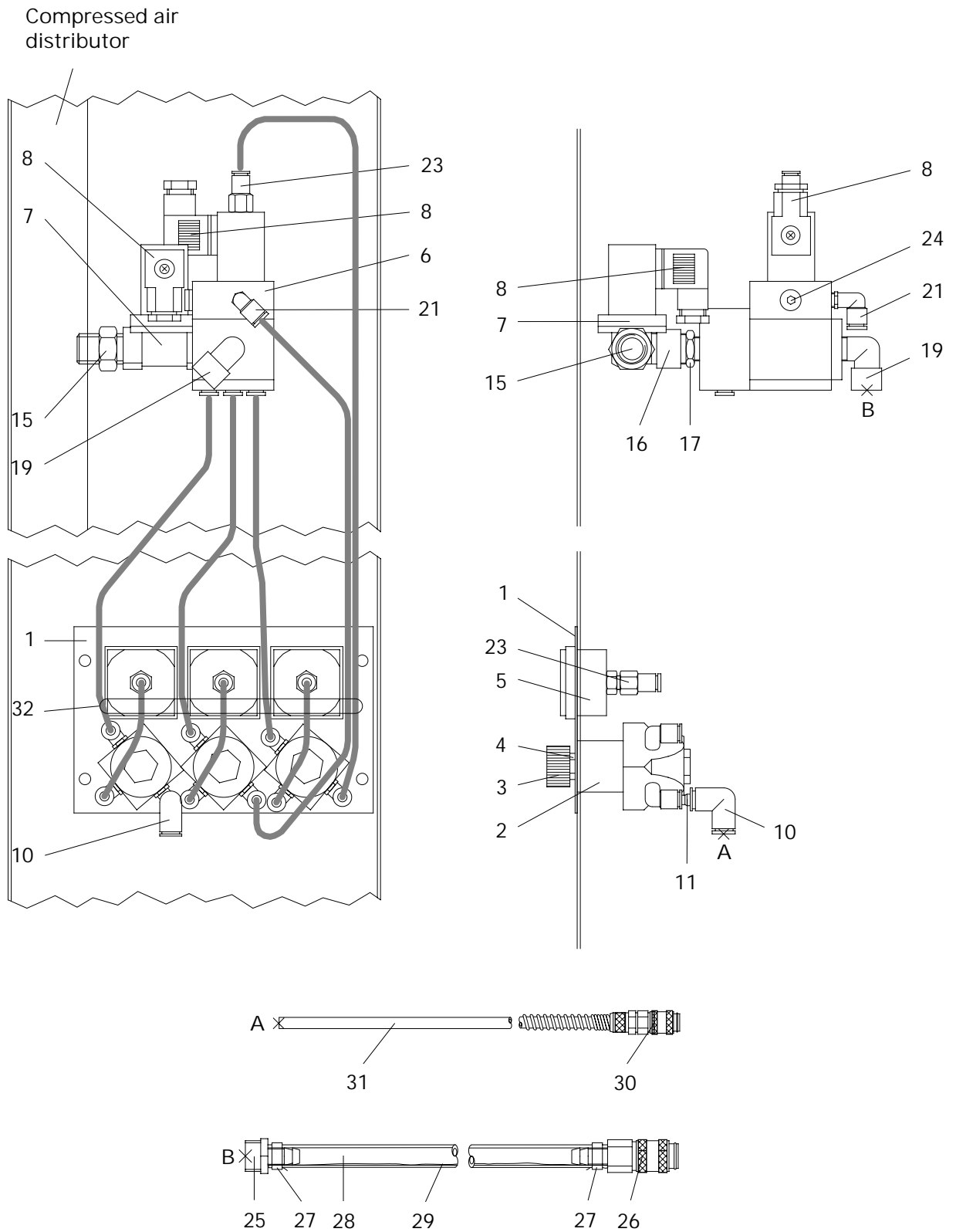


Figure 18.

## Fresh Powder Hopper Fluidization ADU Air Distributor Unit/FPH Fresh Powder Hopper

1	Front plate - 2 cut-outs	
2	Pressure reducing valve - Max. 4 Bar	241 369
3	Control knob	200 069
4	Locking nut - M 14 x 1 mm	302 163
5	Pressure gauge - 0-4 Bar	235 814
6	Pressure reducing valve	244 384
7	Solenoid valve - 24 V	245 860
	Bobbin - 24 VAC	245 887
	Bobbin - 24 VDC	243 671
8	Plug - 3 pole	200 077
10	Elbow socket - $\varnothing$ 8 / $\varnothing$ 8 mm	230 995
11	Hose adapter - $\varnothing$ 6 / $\varnothing$ 8 mm	245 909
12	Y-Adapter - $\varnothing$ 6 - $\varnothing$ 6 x $\varnothing$ 6 mm	245 917
15	Double adapter - 1/2" - 1/2" (detachable)	243 582
16	Threaded elbow - 1/2" - 1/2"	223 166
17	Double adapter - 3/8" - 1/2"	244 317
18	T-Connector - 3/8" - 3/8" - 3/8"	223 310
19	Threaded elbow - 3/8" - 3/8"	223 158
20	Hose connector - 3/8" - $\varnothing$ 6 mm	234 770
21	Screw-in elbow socket - 1/8" - $\varnothing$ 6 mm	203 033
23	Hose connector - 1/8" - $\varnothing$ 6 mm	233 412
25	Hose nozzle - $\varnothing$ 12 mm - 3/8"	220 000
26	Quick-release coupling - $\varnothing$ 10 mm	239 267
27	Hose clamp	203 386
28	Solaflex hose - $\varnothing$ 12/ 3 mm	102 253*
29	Braided copper (grounding) wire	103 373*
30	Quick-release coupling - $\varnothing$ 8 mm	203 181
31	Plastic hose - $\varnothing$ 8 / 6 mm (Black)	103 152*
32	Plastic hose - $\varnothing$ 6 / 4 mm (Black)	103 144*
	Compressed air distributor :	
	4 holes	353 051
	8 holes	353 060

# Wear parts

\* Please indicate length required



Fresh Powder Hopper Fluidization  
ADU Air Distributor Unit/FPH Fresh Powder Hopper

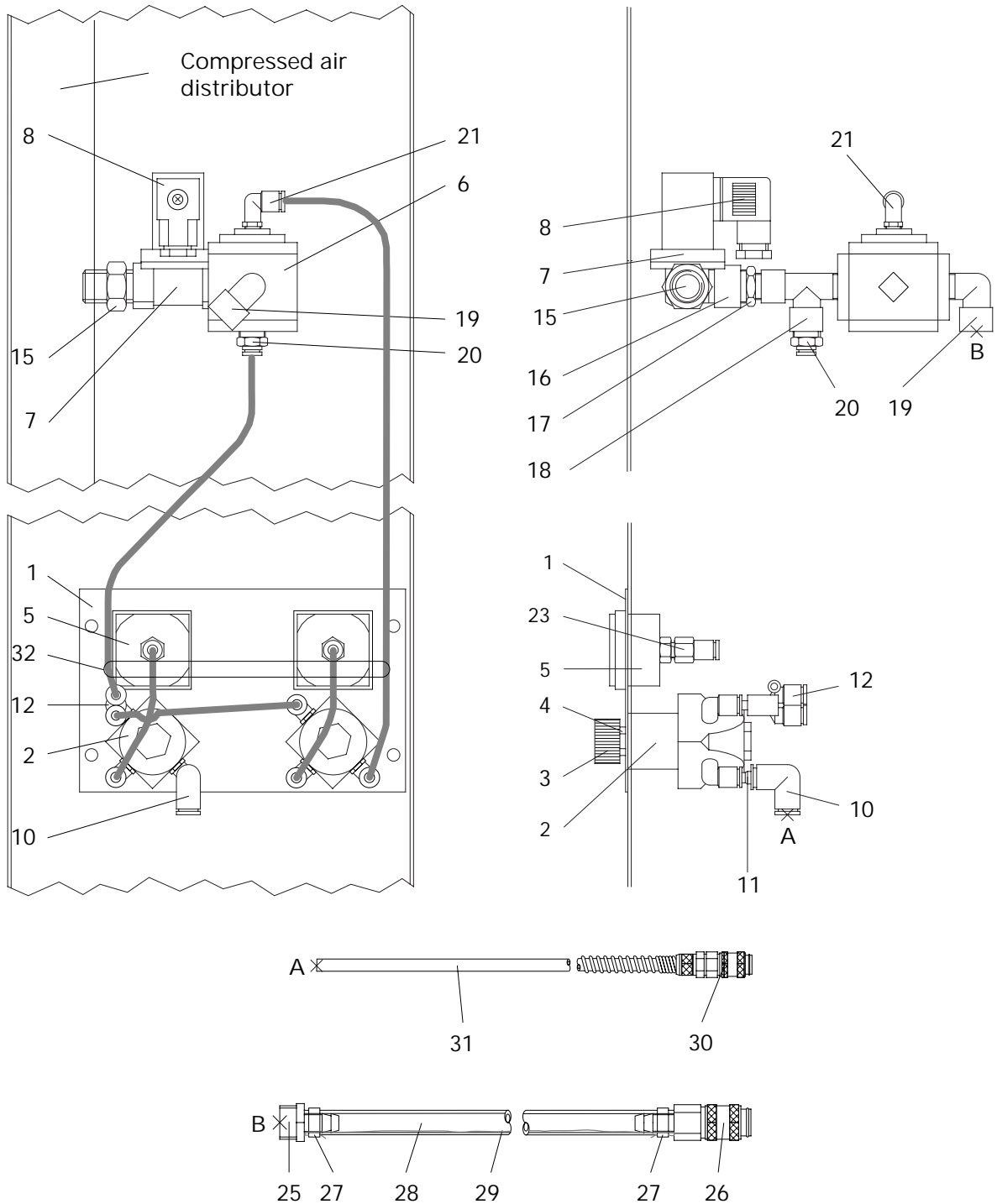


Figure 19.

## Fresh Powder System

## FPS 1, FPS 2

1	Front plate - 2 cut-outs	
2	Pressure reducing valve - Max. 4 Bar	241 369
3	Control knob	200 069
4	Locking nut - M 14 x 1 mm	302 163
5	Pressure gauge - 0-4 Bar	235 814
6	Booster - complete	342 750
	Bobbin - AC	241 865
	Bobbin - DC	241 857
7	Solenoid valve - 24 V	245 860
	Bobbin - 24 VAC	245 887
	Bobbin - 24 VDC	243 671
8	Plug - 3 pole	200 077
15	Double adapter - 1/2"-1/2" (detachable)	243 582
16	Threaded elbow - 1/2"-1/2"	223 166
17	Double adapter - 3/8"-1/2"	244 317
18	T-Connector - 3/8" - 3/8" - 3/8"	223 310
19	Threaded elbow - 3/8" - 3/8"	223 158
20	Hose connector - 3/8" - ø 6 mm	234 770
21	Screw-in elbow socket - 1/8" - ø 6 mm	203 033
23	Hose connector - 1/8" - ø 6 mm	233 412
24	Blind grommet - 1/8"	203 297
25	Hose nozzle - ø 12 mm - 3/8"	220 000
26	Quick-release coupling - ø 10 mm	239 267
27	Hose clamp	203 386
28	Solaflex hose - ø 12 / 3 mm	102 253*
29	Braided copper (grounding) wire	103 373*
32	Plastic hose - ø 6 / 4 mm (Black)	103 144*
	Compressed air distributor :	
	4 holes	353 051
	8 holes	353 060

# Wear parts

\* Please indicate length required

Fresh Powder System  
FPS 1, FPS 2

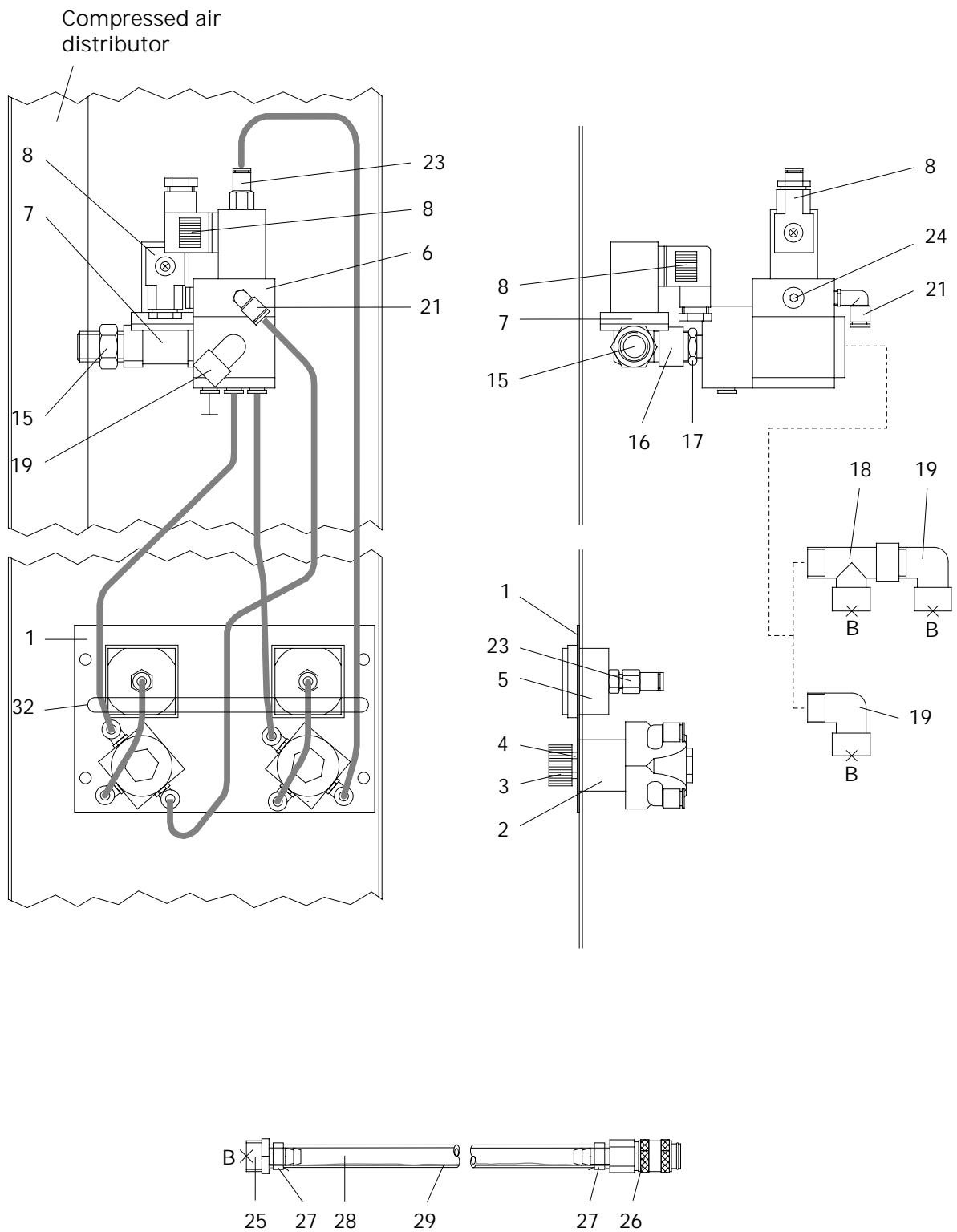


Figure 20.

## Suction Point/Multicyclone Vibrator PT Powder Transport/Multicyclone

1	Front plate - 3 cut-outs	
2	Pressure reducing valve - Max. 4 Bar	241 369
3	Control knob	200 069
4	Locking nut - M 14 x 1 mm	302 163
5	Pressure gauge - 0-4 Bar	235 814
6	Booster - complete	342 750
7	Solenoid valve - 24 V	245 860
8	Plug - 3 pole	200 077
9	Valve	244 392
15	Double adapter - 1/2" - 1/2" (detachable)	243 582
16	Threaded elbow - 1/2" - 1/2"	223 166
17	Double adapter - 3/8" - 1/2"	244 317
18	T-Connector - 3/8" - 3/8" - 3/8"	223 310
19	Threaded elbow - 3/8" - 3/8"	223 158
20	Threaded elbow - 1/8" - 1/8"	235 733
21	Screw-in elbow socket - 1/8" - ø 6 mm	203 033
22	Screw-in elbow socket - 1/8" - ø 8 mm	203 050
23	Hose connector - 1/8" - ø 6 mm	233 412
24	Threaded plugs - 1/8"	203 297
25	Hose nozzle - ø 12 mm - 3/8"	220 000
26	Quick-release coupling - ø 10 mm	239 267
27	Hose clamp	203 386
28	Solaflex hose - ø 12 / 3 mm	102 253*
29	Braided copper (grounding) wire	103 373*
30	Quick-release coupling - ø 8 mm	203 181
31	Plastic hose- ø 8 / 6 mm (Black)	103 152*
32	Plastic hose- ø 6 / 4 mm (Black)	103 144*
	Compressed air distributor :	
	4 holes	353 051
	8 holes	353 060

# Wear parts

\* Please indicate length required

Suction Point/Multicyclone Vibrator  
PT Powder Transport/Multicyclone

Compressed air distributor

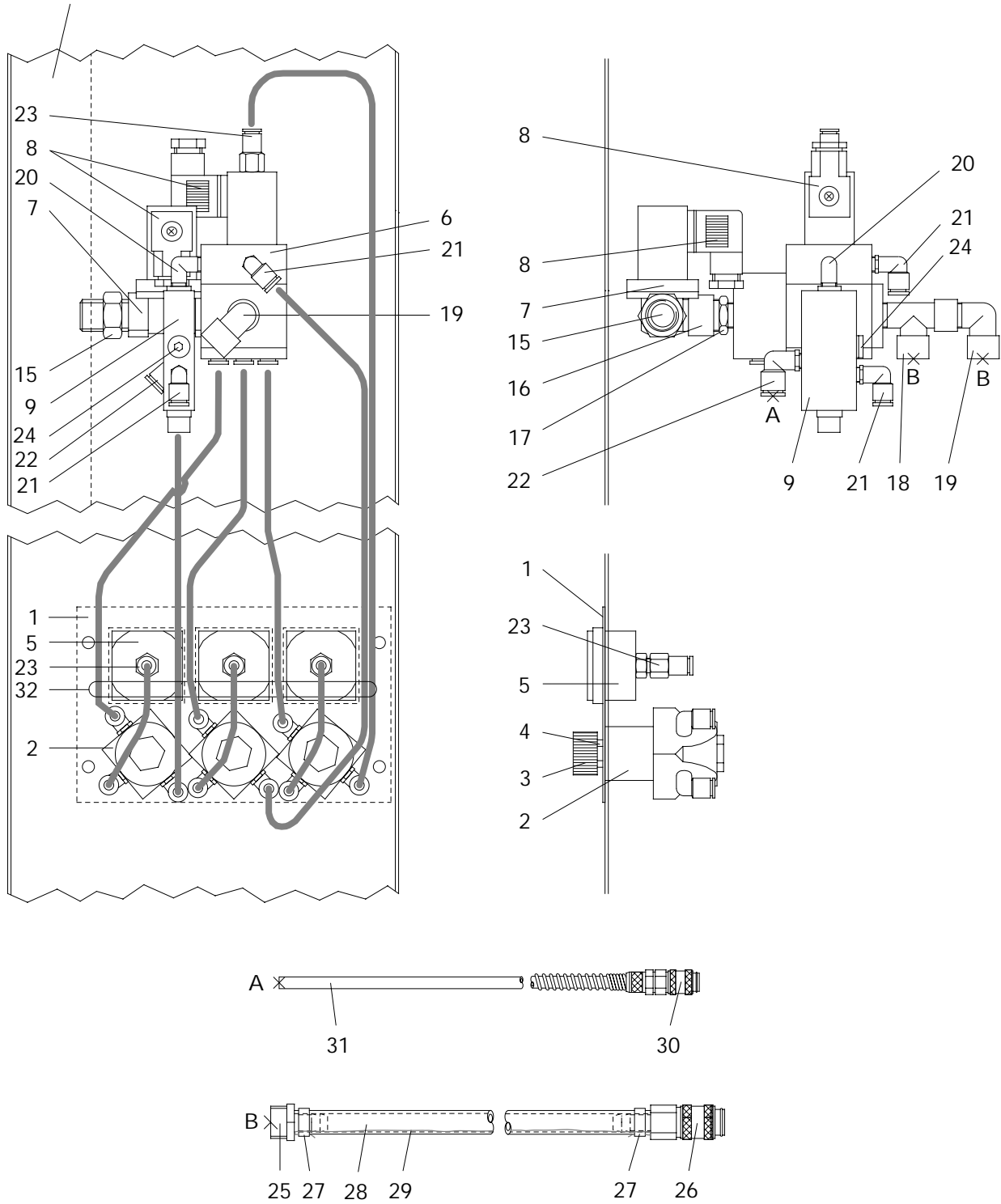


Figure 21.

## Pneumatic unit - Compressed air input

1	Pressure reducing valve/Separator unit - 0-10 Bar	240 133
2	Pressure gauge - 1/8" - 0-10 Bar	243 620
3	Hose connection - 1"	250 830
4	Lead-through - 1/2" - 1/2"	202 967
5	Double adapter - 1/2" -1/2" (detachable)	243 582
6	Threaded elbow - 1/2" -1/2"	223 166
7	Screw-in elbow socket - 1/8" - ø 6 mm	203 033
8	Screw-on hose connector - 1/8" - ø 6 mm	233 412
10	Plastic hose - ø 6 / 4 mm (Black)	103 144*
11	Lead-through - ø 6 mm	250 085
12	Hose clamp - 25 / 17 mm	223 085
	Compressed air distributor :	
	4 holes	353 051
	8 holes	353 060

# Wear parts

\* Please indicate length required

Pneumatic unit - Compressed air input

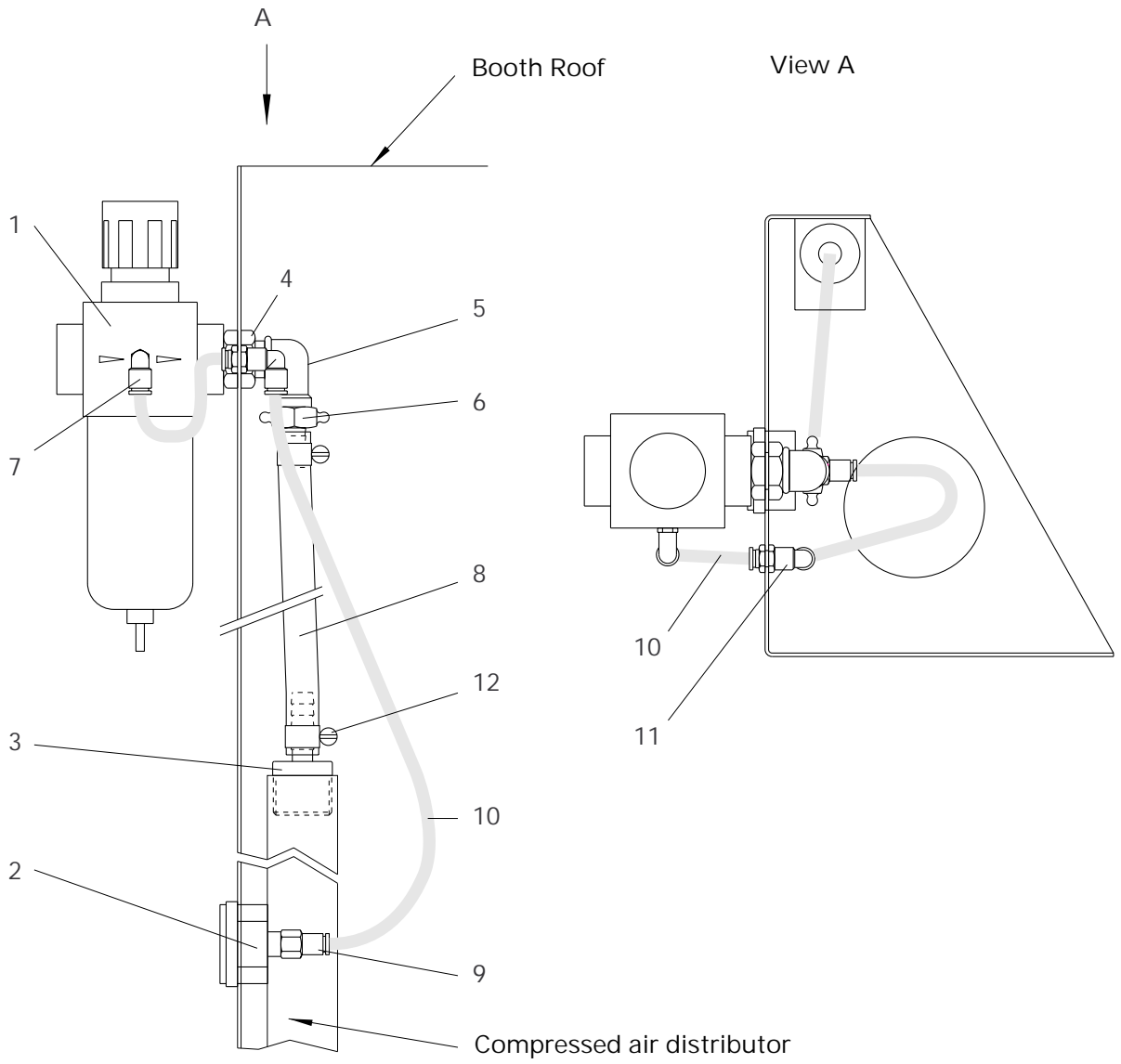


Figure 22.

Documentation Spare Parts List - MRS

© Copyright 1994 ITW Gema AG, CH - 9015 St.Gall.

All technical products from ITW Gema AG are constantly being developed based on our continuing research and applications.

The data found in this publication may therefore be changed without prior notification.

Printed in Switzerland