

OPERATION MANUAL

DVFR-3 Air Filter Regulator



E

P 1-4



Operation Manual

DVFR-3 Air Filter Regulator

Important

Read and follow all instructions and Safety Precautions before using this equipment

Description

The DVFR-3 is a general purpose two outlet model ideal for workshop and bodyshop duty. Air flow capacity is 60 cfm and the regulated outlet pressure is 0-116 psi.

Two stage filtration is down to 20 micron and the semi-automatically drained bowl has vision slits to show condensate levels. Maximum operating temperature is 400 C.

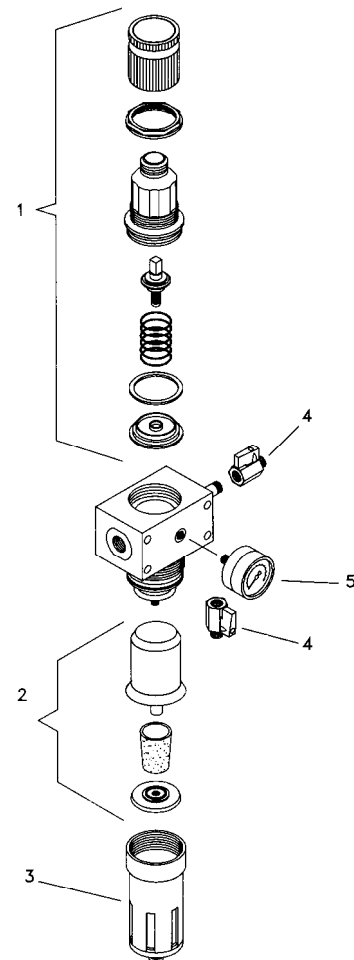
Model

Order No. DVFR-3 Filter regulator unit. Complete with air pressure gauge and mounting bracket.

Air supply connection 1/2" BSP female.
 Air outlet connections 1/4" BSP male.
 Gauge port 1/8" BSP female.
 Size width 165 mm
 height 240 mm

Weight 1314 grms
 Maximum:
 air flow 1700 l/min
 air supply pressure 13 bar
 regulated air pressure 8 bar
 operating temperature 40° C

Filter aperture size 20 micron
 Max.Pressure drop 5% of inlet pressure



Parts List

Ref No	Part No	Description
1	DV-9350811	Upper Cover Assembly including diaphragm
2	DV-9351706	Replacement Filter Element (20 microns)
3	DV-9353301	Filter Bowl with drain valve
4	SER-3414-MF	Ball Valve 1/4 inch BSP (m) & (F)
5	GA-319	Pressure Gauge 0-160 psi



SAFETY WARNINGS



Misuse

- Never exceed the recommended safe working pressure/temperature for any of the equipment used.
- Do not use paint solvents to clean the unit or filter element.
- The fitting of non- recommended or non- original accessories or spare parts may create hazardous conditions.
- Do not install the unit above electrical or any other equipment that will be damaged by discharged condensate.
- Before dismantling the equipment for cleaning or maintenance, all air pressures must be isolated and released.
- When assembling an air pressure gauge to the unit DO NOT use a spanner, always tighten by hand.
- The disposal of non-metallic materials must be carried out in an approved manner. Burning may generate toxic fumes.

Installation / Operation

1. Always install the unit so that the air flows in the direction indicated by the arrows on the body.
2. Install the unit as near as possible to the point of use.
3. Always depressurise the unit before periodic maintenance and installation.
4. Ensure the earth lead is connected to an earth point and verify continuity from each ball valve (item 4) to another known earth point, a resistance of less than 1k ohm should be achieved for dissipation of electrostatic charge.
5. An isolation valve is fitted (6) to the inlet of the unit to allow condensate to be drained and for ease of maintenance. Slide to the right towards the regulator to open. Slide to the left to close.
6. When reducing the pressure, always turn the regulator below the required pressure and adjust upwards. When assembling the pressure gauge to the unit always tighten by hand. DO NOT USE A SPANNER.
7. To lock the regulator press the adjusting knob down . To release the lock lift the knob up.
8. The condensate drain valve on the bottom of the filter can be used semi-automatically or manually.
 - a) With the push button in the central position the valve is semi-automatic (i.e. when the filter bowl is depressurised the valve will open allowing the condensate to drain from the bowl). When the bowl is pressurised the drain valve will automatically close.
 - b) If necessary, it is possible to drain the condensate while the filter bowl is pressurised. To do this, the simple operation of pushing the valve up will open the drain and release the condensate.
 - c) By rotating the button clockwise, the valve becomes locked closed. Drainage is impossible in this position and can only occur when the button is returned to the central position.

Note: To unscrew the bowl from the unit , use a compass key (pin spanner) with 2 mm diameter pins.

Maintenance

Cleaning: The filter element can be cleaned or replaced by unscrewing the bowl and then the central tie-rod

It is recommended that filter/coalescer/activated carbon elements are replaced periodically i.e. when a drop in pressure is noticeable through the unit or every 6 months.

Ensure earthing of the unit is not affected by maintenance activities , see installation above.

ITW Finishing Systems and Products
Ringwood Road,
Bournemouth,
BH11 9LH,
England.
Tel. No. (01202) 571111
Telefax No. (01202) 581940,
Website address <http://www.itweuropeanfinishing.com>

ITW Oberflächentechnik GmbH & Co. KG
Justus-von-Liebig-Straße 31
63128 Dietzenbach
Tel (060 74) 403-1
Telefax: (060 74) 403300
Website address <http://www.itw-finishing.de>

ITW Surfaces Et Finitions
163-171 avenue des Auréats B.P. 1453
26014 VALENCE CEDEX FRANCE
Tél. (33) 475-75-27-00
Télex 345 719F DVILBIS
Téléfax: (33) 475-75-27-99

ITW Finishing Systems and Products is a Division of ITW Ltd.
Reg. Office:
Admiral House,
St Leonard's Road,
Windsor,
Berkshire,
SL4 3BL,
UK
Registered in England: No 559693 Vat No 619 5461 24